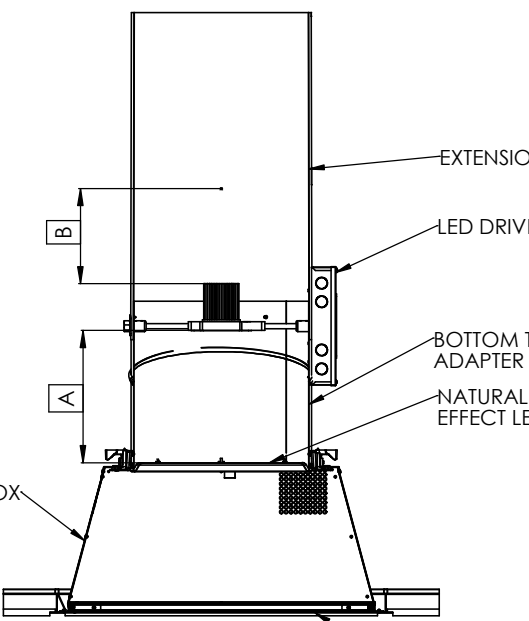
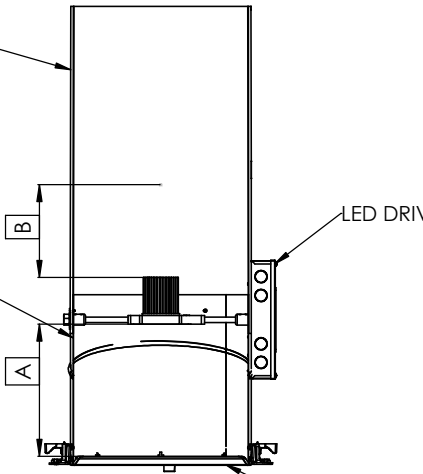


300DS



**FULL SECTION
SCALE 1:1**

290DS




**FULL SECTION
SCALE 1:1**

**TOP VIEW
SCALE 2:1**

- A** BOTTOM OF LED MUST BE PLACED A MINIMUM OF 6" [152MM] FROM ANY LENS MATERIAL
- B** PLACE DAYLIGHT DIMMER A MINIMUM OF 4" [102MM] FROM TOP OF LED HEAT SINK IF INSTALLED IN CONJUNCTION WITH LED LIGHT KIT.

- NOTES:
1. STRUCTURAL ELEMENTS (PLYWOOD, RAFTERS, DRYWALL ETC.) BY OTHERS & SHOWN FOR REFERENCE ONLY.
 2. ALL TUBE JOINTS & SEAMS TAPED WITH 2" FOIL TAPE (NOT SHOWN).
 3. DIMENSIONS IN BRACKETS ARE METRIC UNLESS OTHERWISE SPECIFIED.
 4. 6" MIN. CLEARANCE SHOULD BE MAINTAINED FROM ALL SOLATUBE COMPONENTS AND OTHER PLENUM COMPONENTS.

UNLESS OTHERWISE SPECIFIED:		SOLATUBE INTERNATIONAL INC. COPYRIGHT 2018 WWW.SOLATUBE.COM		 2215 DAK ROOSE WAY DIGITAL, CALIFORNIA, 92081-8341 PH (760) 977-4400	
DIMENSION TOLERANCE		DRAWN BY KEIDENSCHINK		TITLE: 290/300 DS LED LIGHT KIT	
FRACTIONS ± 1/4"		DATE 6/9/2020		SIZE D	
INCH ± 0.0625		CHECKED BY		DWG. NO.	
MILLIMETER ± 0.25		DATE		REV 1	
XX ± 0.6 (XX) ± 1.5		APPROVED BY		SCALE: 1:2	
MATERIAL		DATE		SHEET 1 OF 1	
FINISH		DATE			
DO NOT SCALE DRAWING					